

Start Guide



Safety Instruction

Please take care to following instructions:

- The router must be used in compliance with international and national law and in compliance with any special or additional restrictions regulating using of the Conel router in different applications and environment.
- To avoid possible health injury or/and damage to appliance or/and not-respecting relevant provisions and standards, using only the original accessories is recommended. Unauthorized device or accessories modification or using accessories that have not been approved may result in router damage or/and in violating of regulations. Unauthorized device or accessories modification or using accessories that have not been approved may result in warranty termination.



- The router must not be opened.
- **Caution!** The SIM card could be swallowed by small children.
- Voltage at the power connector of the router must not be exceeded.
- Do not expose the router to extreme ambient conditions. Protect the router against dust, moisture, and high temperature.
- It is recommended not to use the router at petrol stations. We remind observing locale restrictions concerning using radio-based devices for example at petrol stations, in chemical plants, while working with explosives etc.
- Switch off the router while travelling by plane. Router operation aboard airplane may affect or interfere the mobile network and might be unlawful. Not respecting airplane staff instructions may result in suspension or total cancellation of telephone services for the respective client or/and may result in legal sanctions.
- While using the router close to personal medical devices, such as cardiac pacemakers or hearing aids, you must proceed with heightened caution.
- Operating router too close to TV sets, radio receivers and personal computers, the telephones etc. may cause interference.
- It is recommended to create copy or backup of all the important settings stored in memory of router.

Product Disposal Instructions

The WEEE (Waste Electrical and Electronic Equipment: 2002/96/EC) directive has been introduced to ensure that electrical/electronic products are recycled using the best available recovery techniques to minimize the impact on the environment. This product contains high quality materials and components which can be recycled. At the end of its life this product **MUST NOT** be mixed with other commercial waste for disposal. Check with the terms and conditions of your supplier for disposal information.

First Use

It is necessary to connect all the components that are required to run your applications before putting the router into operation.

! The router cannot be operated without connected antenna, inserted SIM card and connected power supply. If there is no connected antenna during operation of the router, the router may be damaged!

i XR5i v2 router is not equipped with a 2G/3G/4G module which means that SIM card holders and antenna connectors (except for *WiFi* antenna connector) are not available on the router.

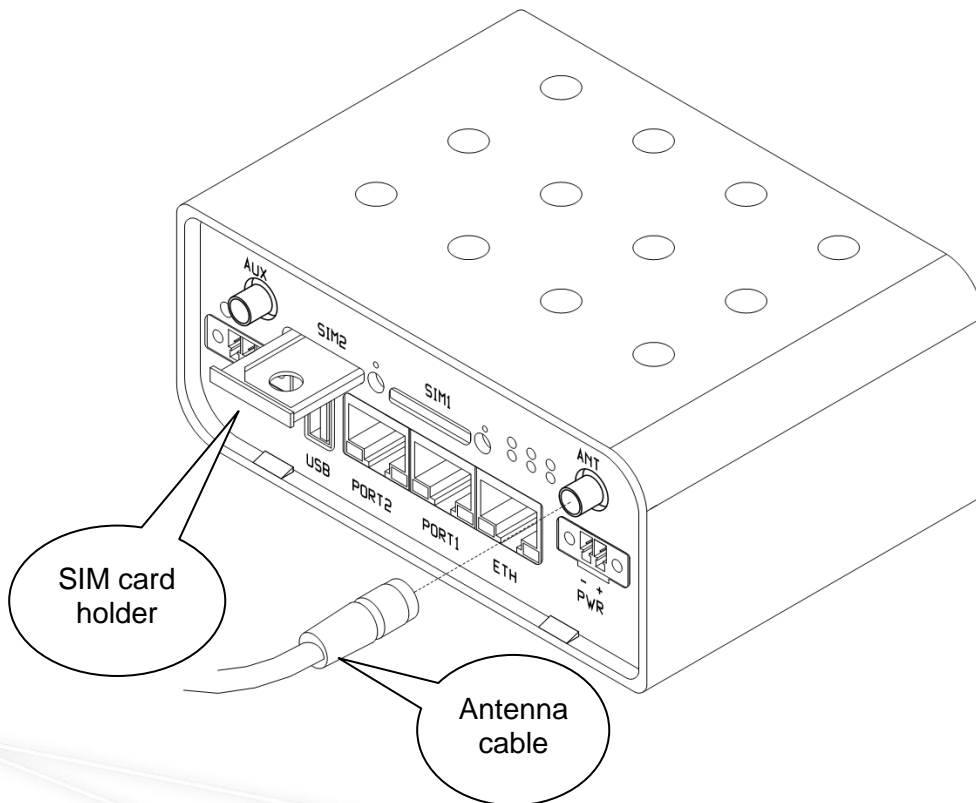
1. Antenna Connection

Use SMA connector for antenna connection. Main antenna is connected by screwing at *ANT* connector (see figure below).

2. Inserting SIM Card

i The SIM card reader for 3 V and 1.8 V SIM cards is located at the front panel of Conel router. To initiate router operation it is necessary to insert an activated SIM card with unblocked PIN to the SIM card reader.

Slide out SIM card holder by pressing the small yellow button right from the SIM card socket. Insert SIM card into holder and push the holder into the reader (see figure below).



3. Power Cable Connection



The router requires DC power supply from +10 to +30 V DC. The router has a built-in protection against reverse polarity without signaling.

Connect power cable to the connector labeled as *PWR* on the front panel of the router and tighten locking screws (see figure below).

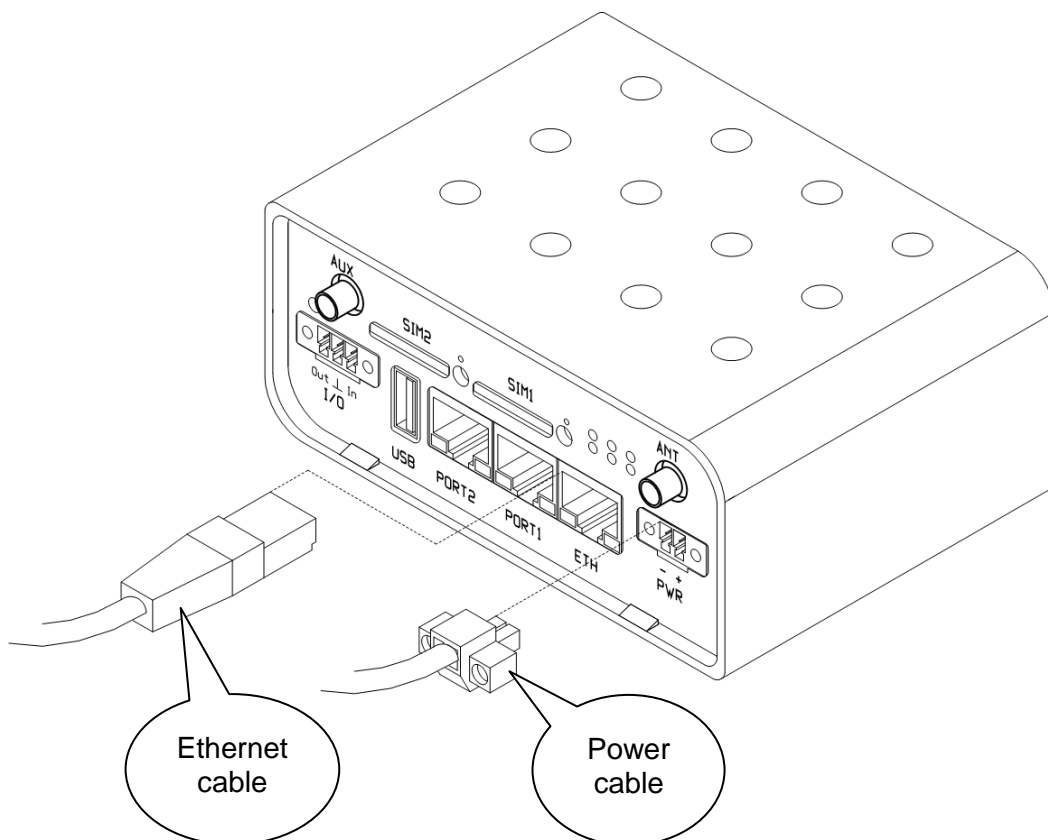
4. Ethernet Cable Connections

Ethernet cable has to be connected to *ETH* connector on the front panel (see figure below). Ethernet cable is used for configuration and communication with the router.



If expansion ports are assembled, cable is connected to port *PORT1* or *PORT2*. Wiring of pins for expansion ports are described in manual of corresponding expansion port. These manuals can be found on the Conel website: <http://www.conel.com/download>. Please, use the following login information:

Username: ConelFreeDownload
Password: coneldownload



Configuration Settings over Web Browser

Status monitoring, configuration and administration of the router can be done using web interface which is available after inserting IP address of the router to your web browser. Default IP address is 192.168.1.1. Configuration is allowed for user "root" with initial password "root".



Detailed description of the router configuration via router web interface can be found in *Configuration manual*, see Conel website: <http://www.conel.com/download>. Please, use the following login information:

Username: ConelFreeDownload
Password: coneldownload

Configuration Settings over Telnet

Status monitoring, configuration and administration of the router can be done using Telnet interface which is available after inserting IP address of the router to Telnet interface. Default IP address is 192.168.1.1. Configuration is allowed for user "root" with initial password "root".



Detailed description of the router configuration via router web interface can be found in *Configuration manual*, see Conel website: <http://www.conel.com/download>. Please, use the following login information:

Username: ConelFreeDownload
Password: coneldownload

Restoring and Backup of the Router Configuration

The moment *PWR* LED starts blinking it is possible to restore initial settings of router by pressing *RST* button on the front panel. After pressing this button configuration is restored and reset is done shortly afterwards (green LED will be on).

We recommend backup router configuration (see *Configuration manual*) before reset because after router reset is current configuration overwritten by default one.



After the first login we strongly recommend to change default password due to security reasons. Simultaneously, you will gain access to all functions of the router.

Documentation



User manual, Configuration manual and manuals for each expansion port can be found on the Conel company website: <http://www.conel.com/download>. Please, use the following login information:

Username: ConelFreeDownload
Password: coneldownload



Conel declares that the Bivias v2, CR10 v2, ER75i v2, LR77 v2, LR77 v2 Libratum, UCR11 v2, UR5i v2, UR5i v2 Libratum, XR5i v2 and XR5i v2E are in compliance with the essential requirements and other relevant provisions of direction **1995/5/ES**.

Declaration of conformity was issued and it is possible to get it on Conel company website (www.conel.com) or from technical support of this company.