

Airtop is a small, silent and high performance desktop. The key word is silent. Not "with a specially designed fan that is very quiet".

Airtop has no fans at all, yet it can dissipate 200W – enough to cool a Xeon CPU and a professional graphics card.

Airtop cools itself by generating airflow using no moving parts, just the waste heat from the CPU and the GPU.

See [www.airtop-pc.com](http://www.airtop-pc.com) for more info.

- ✓ High-performance, silent, modular
- ✓ Robust-design, zero-maintenance and friendly service
- ✓ Suitable for workstation, desktop and server applications
- ✓ Low total cost of ownership
- ✓ 5 year warranty



## About CompuLab

CompuLab is a leading manufacturer of miniature fanless-PCs and computer-boards for embedded systems, which was established in 1992 and has been manufacturing fanless-PCs since 2007 and system-on-modules since 1997. CompuLab produces over 100,000 computer boards a year.

CompuLab products are manufactured and tested in CompuLab's ISO9001:2008 certified facilities in Yokneam, Israel. Products are CE certified and RoHS compliant. For more information about CompuLab please visit [www.complab.co.il](http://www.complab.co.il)

For other CompuLab fanless PCs please visit [www.fit-pc.com](http://www.fit-pc.com)



- 5** ✓ 5 year warranty

---

- 4** ✓ 4x 4K displays  
✓ 4 hard disks  
✓ 4 antennas for Wifi/cellular

---

- 3** ✓ 3 types of extension cards: PCIe x16, mini PCIe and CompuLab FACE Module  
✓ 3 serial ports  
✓ 3 submitted patent applications on Airtop and NAF technology

---

- 2** ✓ 2 Gbit Ethernet native ports  
✓ 2 SIM cards  
✓ 2 natural airflow elements – one for CPU and the other for GPU  
✓ 2 power supplies – main and backup

---

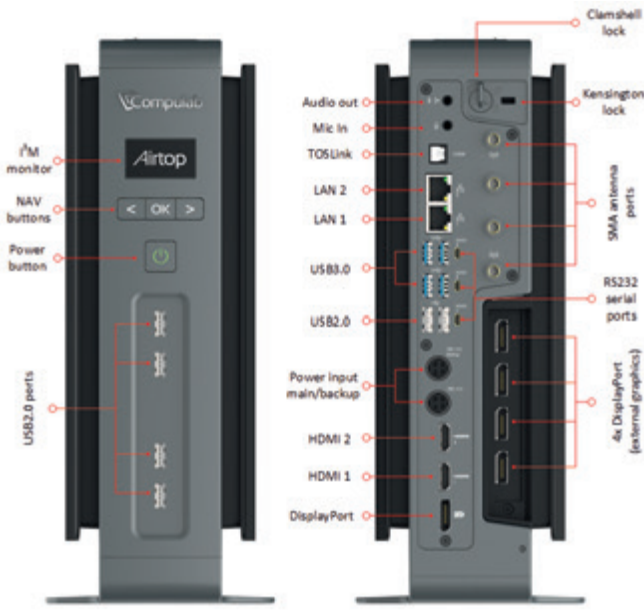
- 1** ✓ 1 discrete graphics card  
✓ 1 integrated interactive information monitor  
✓ 1 casing material (all aluminum)

---

- 0** ✓ 0 fans  
✓ 0dB noise level  
✓ 0 maintenance required  
✓ 0 tools needed for opening the case



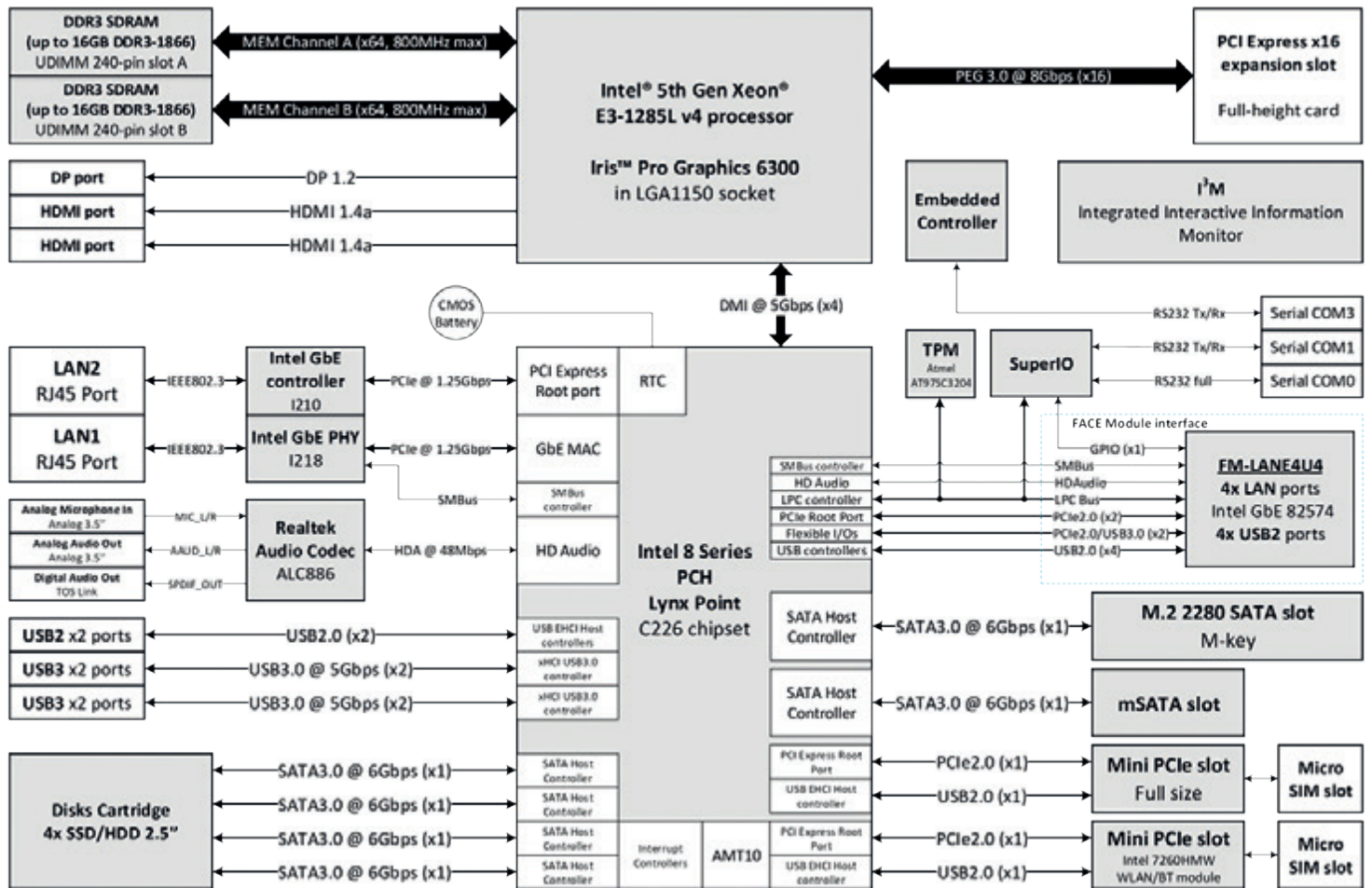
Airtop I/O



Internal view



Block diagram



## Airtop specifications

### Model

Name	Airtop
Current HW Rev.	1.1
LTA	2022

### Processor

Type	Intel 5th Gen Core i7-5775C Intel 5th Gen Xeon E3-1285L v4
Socket	FCLGA1150
Cores	64-bit quad core Intel Hyper-Threading Technology
Clock speed	3.3 GHz (up to 3.7 GHz) 3.4 GHz (up to 3.8 GHz)
TDP	65W
Chipset	Intel C226 Chipset (Lynx Point)

### Memory

Supported	2x DIMM 240-pin DDR3 SDRAM memory slots Up to 32GB (2x 16GB) ECC/Non-ECC DDR3-1866 (refer to specific model specs)
-----------	--

### Storage

Supported	All SATA3.0 ports (up to 6 Gbps) 4x 2.5" HDD/SSD in disks cartridge 1x M.2 2280 M-key slot 1x mSATA slot
RAID	Intel Rapid Storage Technology RAID 0/1/5/10 support

### Integrated GPU

GPU	Intel Iris Pro Graphics 6200 Quad display mode supported
Display I/F 1	DisplayPort 1.2 up to 3840 x 2160 @ 60 Hz
Display I/F 2	HDMI 1.4a up to 4096 x 2304 @ 24 Hz
Display I/F 3	HDMI 1.4a up to 4096 x 2304 @ 24 Hz

### Discrete GPU

GPU	NVIDIA GeForce GTX 950 Graphics Card NVIDIA Quadro M4000 Graphics Card
Display I/F 1	DisplayPort 1.2 up to 4096x2160 @ 60 Hz
Display I/F 2	DisplayPort 1.2 up to 4096x2160 @ 60 Hz
Display I/F 3	DisplayPort 1.2 up to 4096x2160 @ 60 Hz
Display I/F 4	HDMI 2.0 / DisplayPort 1.2 up to 4096x2160 @ 60Hz

### Audio

Codec	Realtek ALC886 HD audio codec
Audio Output	Digital 5.1-ch TOSLINK output Analog 2-ch stereo output 3.5mm jack
Audio Input	Analog microphone input 3.5mm jack

### Networking

LAN	2x GbE LAN ports (by option additional 4x GbE) LAN1: Intel I218 GbE PHY chipset) (RJ-45) LAN2: Intel I210 GbE controller (RJ-45)
-----	--

### Wireless

WLAN	WLAN 802.11 ac (2.4/5GHz Intel 7260HMW)
Bluetooth	Bluetooth 4.0
Cellular	2x micro SIM slot (6 pins)

### Connectivity

USB3	4x USB 3.0 (back)
USB2	2x USB 2.0 (back) 4x USB 2.0 (front)
Serial	3x Serial communication ports COM0: Full RS232 via mini serial connector COM1: 2-wire RS232 via mini serial connector COM3: 2-wire RS232 via mini serial connector

### Expansion

PCI Express	1x 16 PCIe 3.0 (up to 8 Gbps) Graphics Card Full-height
Mini PCIe 1	Intel 7260HMW WLAN/BT module
Mini PCIe 2	Full-size slot available
FACE Module	4x USB2.0

### Advanced

Technologies	vPRO, AMT, AES, CPU virtualization (see CPU data)
Special functions	Auto-On, WoLAN, WoT, PXE Boot, Watchdog I <sup>3</sup> M – Integrated Interactive Information Monitor

### BIOS

Vendor	Phoenix
Features	BIOS Legacy mode, UEFI mode, Secure Boot

### OS

Supported	Windows 7/8/10 Windows Server 2012 R2 Linux Mint
-----------	--

### Op. Conditions

Input Voltage	15 – 20VDC input (dual power input for redundancy)
Power	
Consumption	10W – 200W
Operating	
Temperature	Standard: 0°C to 45°C Extended: -20°C to 70°C Industrial: -40°C to 70°C
Relative Humidity	5% to 95% (non-condensing)
MTTF	> 100,000 hours

### Enclosure

Material	All Aluminum
Cooling	Passive Zero-Fans Natural Airflow (NAF) cooling
Dimensions	10 cm (W) x 30 cm (H) x 25.5 cm (D) 4" (W) x 12" (H) x 10" (D)
Weight	5 kg – 5.8 kg

